

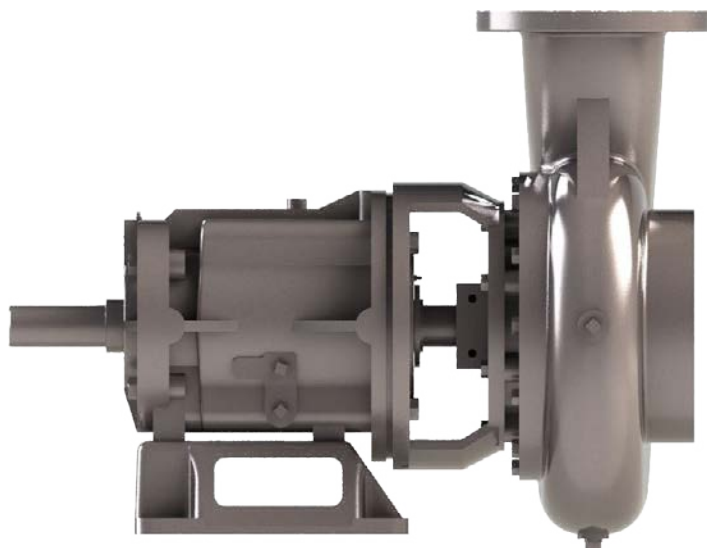


AVAILABLE MOUNTING CONFIGURATIONS

- 4NNT-F FRAME MOUNT
- 4NNT-RP-F REDI-PRIME FRAME MOUNT
- 4NNT-EM ENGINE MOUNT
- 4NNT-RP-EM REDI-PRIME ENGINE MOUNT
- 4NNT-VC VERTICAL COUPLED
- 4NNT-VF VERTICAL FRAME MOUNT

OPERATING LEVELS

MIN FLOW	180 GPM	41 m ³ /h
MAX FLOW	1300 GPM	295 m ³ /h
DISCHARGE SIZE	4"	101.6 mm
SUCTION SIZE	4"	101.6 mm
SOLIDS HANDLING	3"	76.2 mm
MAX SPEED	1800 RPM	1800 RPM
SHUT-OFF HEAD	122'	37.2 m
BEP HEAD	81'	24.6 m
BEP FLOW	760 GPM	172.6 m ³ /h
BEP PERCENT	76%	76%



A typical picture of the pump is shown. Please contact Cornell Pump Company for further details. All information is approximate and for general guidance only.

PARTS	STANDARD MATERIAL (ALL IRON)
WEAR RING	CAST IRON
IMPELLER	CAST IRON
VOLUTE	CAST IRON
SHAFT	STRESSPROOF STEEL
SHAFT SLEEVE	416 STAINLESS STEEL
BACKPLATE	CAST IRON
MECHANICAL SEAL	TUNGSTEN CARBIDE VS. SILICON CARBIDE
BEARING FRAME	CAST IRON

The 4NNT pump is designed with Cornell's renowned quality and durability. It features a 4" discharge, 4" suction, and enclosed impeller. Cornell's patented Cycloseal® design is standard, with a Type 1 or 2 single mechanical seal with Buna-N elastomers, stainless steel hardware and tungsten carbide vs. silicon carbide seal faces for abrasion resistance.

Frame mounted models: Heavy-duty, grease lubricated, single row ball bearings with a minimum of 50,000 hours bearing life. 900/1200/1800 RPM operating speeds. Vertical configurations include a 4" suction elbow with other options available. Uses an F16 frame (horizontal) or VC16 frame (vertical).

Engine-mounted models: 900/1800 RPM operating speeds.

- Patented Cycloseal design
- Heavy-duty bearing frame
- Industry-leading two-year warranty
- Industry-leading efficiencies
- Heavy duty construction
- Redi-Prime® available for fully-automatic continuous priming



AGRICULTURE



FOOD



INDUSTRIAL



MINING



MUNICIPAL



OIL & GAS



REFRIGERATION



RENTAL

